

## Numerical control

## CybTouch 15 PS

The CybTouch 15 PS is a 2D numerical control specifically dedicated for entry to mid-range CNC press-brakes up to 6 axes. It comes in a compact housing, similarly to the well-known CybTouch range in the field, but offering a bigger touchscreen and a new horizontal design.

As the entire CybTouch range, the CybTouch 15 PS features an intuitive touch screen user interface, offering a high integration of functionalities.

Thanks to its large keys, online help, user-friendly HMI and many automatic functions that constantly

guide the operator, the CybTouch 15 PS is simply powerful and userfriendly.

The CybTouch 15 PS is integrated into a sleek and modern housing or can optionally also be delivered as a robust panel.

High speed RFlink wireless communication facilitates backup, restore, data transfer functions with laptop computers, as well as beam movements' traces with the included oscilloscope.



## Main features

### For the user:

15" modern streamlined glass surface touch screen that can be used with gloves.

User friendly HMI thanks intuitive programming and an ease to set up with dedicated wizards (auto-tuning).

2D graphical profile drawing (Touch Profile) and precise 2D program creation.

Automatic bending sequence calculation.

Easy single bends thanks to the EasyBend page.

Wide storage capacity.

Internal backup and restore functions.

Wireless communication for extended diagnostics and updates (with laptop).

Memory capacity:

- 100 Punches
- 100 Dies
- 300 Programs
- 24 Sequences per program
- 10 Materials

### For the OEM:

4 or 6 axes control in a compact housing.

Management of AC/DC drives and motors, frequency converters for AC asynchronous motors, two-speeds mode, and more.

Pressure, crowning and pump speed management.

Advanced algorithms for closed and open loop proportional valves control.

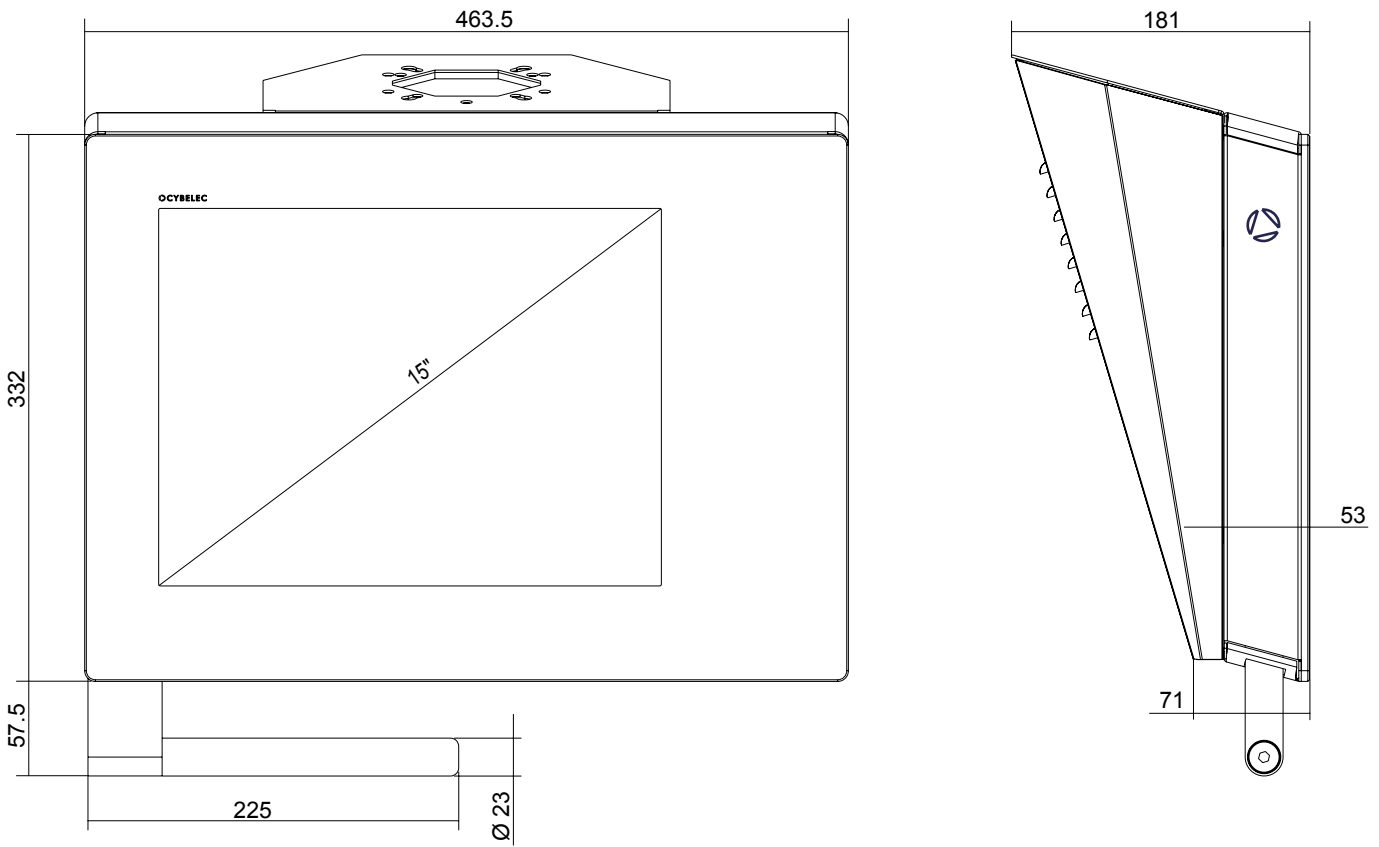
Axes configuration, inputs/outputs and auxiliary functions can be made to precisely fit the specific needs of the machine.

## Technical Characteristics

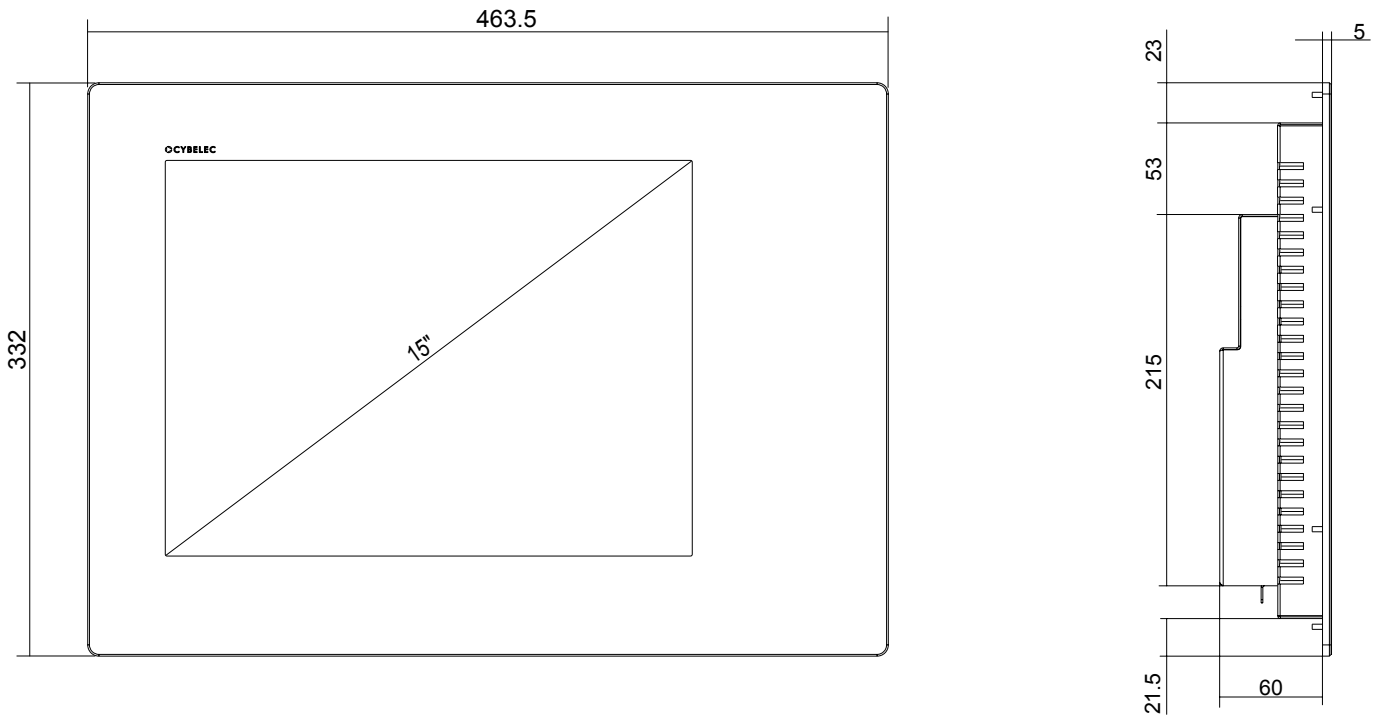
Screen	Glass surface touch screen (capacitive) 15" color graphic TFT screen, 1024 x 768 pixels with LED backlight control.
Work memory	SRAM /SDRAM
System memory	4 GB and up Micro SD Card with firmware update via RLink.
Communication	Cybelec RLink (radio frequency link). USB port (for memory stick only). RS232 port (communication with safety PLC).
X – R Axes	<ul style="list-style-type: none"> <li>• <math>\pm 10</math>VDC management of AC/DC drives and motors.</li> <li>• 0-10 VDC frequency converter for AC asynchronous motors.</li> <li>• SP-SN-HS 2 speeds mode.</li> <li>• SP-SN 0-10 VDC 2 adjustable speeds.</li> </ul>
Units	inch/mm conversion.
Power supplies	<ul style="list-style-type: none"> <li>• Numerical control: stabilized + 24VDC -15% / + 20% 30W</li> <li>• Digital inputs/outputs: stabilized + 24VDC -15% / + 20%</li> </ul>
Encoder inputs	4 5 VDC or 12 VDC* or 24 VDC* (* = external power supply). Complementary signals are not necessary, but recommended.
Power supplies for encoders	5 VDC Supplied by CybTouch. Max. 250 mA for each encoder.
Digital inputs	16 Optocoupled.
Analog inputs	4 0-10 VDC.
Digital outputs	21 Optocoupled and short circuit proof. 12 x 24 VDC source mode, max. 0.5 A. 8 x 24 VDC source mode, max. 3.0 A. 1 x 24 VDC auxiliary output, max. 0.5 A, not protected. Possibility to configure twice the same output to double the current.
Analog outputs	7 $\pm 10$ VDC, Y1-Y2-X-R, pressure and crowning. Impedance < 100 $\Omega$ , short circuit proof. Load $\geq 2$ k $\Omega$ (max 15 mA).
Reference voltage	10 VDC Impedance < 100 $\Omega$ , short circuit proof. Load $\geq 2$ k $\Omega$ (max 15 mA).
Operating conditions	Min. 5° Celsius, max. 45° Celsius. Relative humidity 10 to 85% non-condensing.
EC Directives	IEC61131-2.
Available languages	English, Français, Deutsch, Italiano, Nederlands, Español, Português, Português Brasil, Český, Türkçe, 中文, 台灣, Polski, Русский, Suomi

# Dimensions

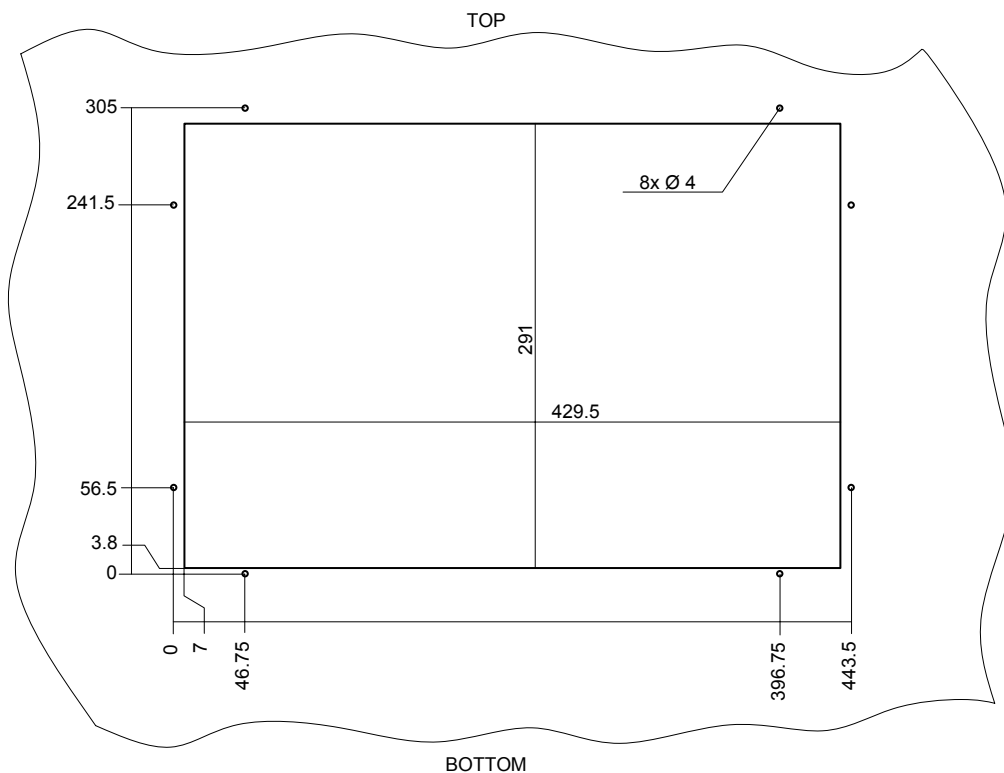
## Box version



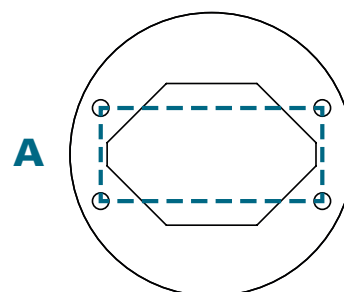
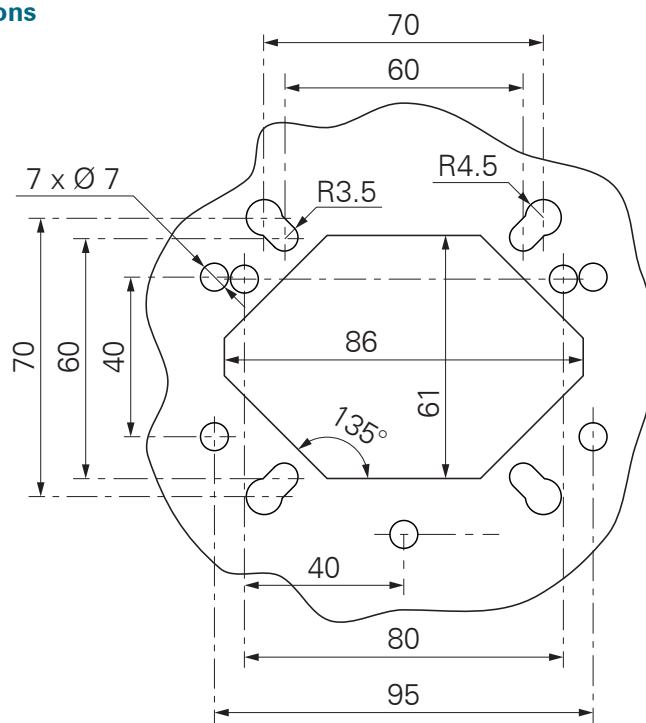
## Panel version



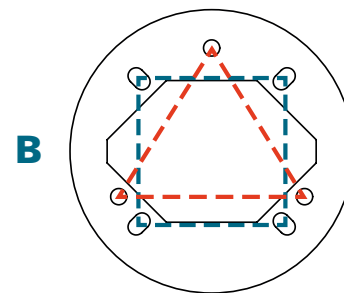
## Integrating opening dimensions



## Attachment dimensions



40 x 95



60 x 60 or 65 x 65

80 x 80 x 80

Two adapters are provided. Stick the appropriate one on top of the box.

## Ordering Informations

Reference	Designation
S-CBT-154PSA21/BW	4 axes CNC (Y1, Y2, X, R), 16I/21O, housing version
S-CBT-154PSA21/P	4 axes CNC (Y1, Y2, X, R), 16I/21O, panel version
S-CBT-156PSA21/BW	6 axes CNC (Y1, Y2, X, R, Z1, Z2), (*), 16I/21O, housing version
S-CBT-156PSA21/P	6 axes CNC (Y1, Y2, X, R, Z1, Z2), (*), 16I/21O, panel version
	(*) requires S-MVA-CF amplifier module

## Options

### Hardware

S-MVA-CNF	Compact valve amplifier module
S-CAH-CybVA6	Amplifier for Hoerbiger types of valves (analog)
S-MVP-100/A	Pressure valve amplifier
S-MSV-402/A	Servo valve amplifier +/-350mA or +/-50mA
S-OPT-RFLINK	USB RFlink key

### Software

S-OFT-CBT/TDM	Tandem management
S-OFT-CBT/WTR	Working time restriction for CybTouch
S-OFT-3D	PC ModEva 3D offline software and CyCAD with USB-Key
S-OFT-VST2D	Offline software license, VisiTouch 2D
S-OFT-VST3D	Offline software license, VisiTouch MX (3D)
S-OFT-IMPORT	Import license, DXF flat, IGES, STEP, SAT, X_T